

■ GH ■

Cranes & Components

LIFTING SOLUTIONS FOR **AUTOMOTIVE INDUSTRY**
汽车行业起升解决方案



GH

Cranes & Components



001

Certificate No. E199326



DESIGNED, ENGINEERED
& 100% KIT
MADE IN EUROPE

LIFTING YOUR WORLD

提升你的世界

ASSEMBLERS & TIER 1, 2 & 3 SUPPLIERS WORLDWIDE

安全
可靠
高效流程
领先技术
最高质量标准
为全球组装商和各级供应商提供方案

HIGHEST QUALITY STANDARDS

VANGUARD TECHNOLOGY

PROCESS EFFICIENCY

RELIABILITY

SAFETY

Excellent Equipment 卓越设备



GH GROUP GH集团

GH is one of the global leaders in the lifting industry, who has been always driven by the following belief: "science and technology should serve to enhance the civilization of the mankind", sparing no efforts to promote mature technology in each lifting industry, which has been widely recognized and supported. Over the course of more than half a century of development, GH has been a reference in lifting business, step by step, reinventing the business, each time more powerfully. In many industries, GH is recognized as the world's leading supplier for the lifting equipment, spare parts and services. GH是全球起重行业的主要制造商之一，我们一贯坚持“科技应该为提升人类文明服务”的信念，并始终不遗余力地推动将每一项成熟科技应用于起重行业，并得到了广泛的认可和支持；在长达半个多世纪的发展历程中，GH一步一个脚印，引领这个古老的行业一次次焕发出青春和活力；在诸多行业被公认为起重设备和备件及服务的全球顶尖供应商。



GH is a family owned company with deep roots on its business basics: safety, efficiency, robustness and environmental protection, designing user-friendly low-in-maintenance products, persevering on integrating all these elements into every single aspect of GH products' development and manufacturing.

GH是一家家族企业，深谙起重设备必备要素：安全、效率、耐用、环保、用户友好、维护率低，并持之以恒把这些要素的考虑融入进公司从产品研发到设计制造的每一个细节。

Focused on continuous R&D and innovation, GH MISSION is to PROMOTE our CUSTOMERS' EFFICIENCY & PROFITABILITY by offering suitable SOLUTIONS TO THEIR NEEDS, minimizing our clients' operating costs and easing adverse environmental impact involved in the industrial production.

通过持续不断的研发和革新，GH致力于向各行业用户提供最适合其业务需求的产品和服务，在极力提高用户的商业效率和盈利能力的同时，降低用户的长期运营成本，减少工业生产对环境带来的负面影响。



GH choice is to design completely its products in house and promote commercial components to maximize parts' interchange ability, and doing so mitigate end users risks. Behind this it is a clear belief: GH proposal is to provide high quality and high value added service to enhance users' experience offering the lowest risks and best performance in the market.

GH主要使用自主开发设计的零部件，同时也采用商业部件最大程度提高部件互换性以降低用户顾虑和不可控风险。因为我们深信：GH的报价方案旨在提供高质量和高附加值的产品和服务，最大程度降低风险，优化性能，以提高用户体验。

EXPERIENCE

丰富经验

GH drives customers with a skilled team delivering GH global project experience and thus meeting the requirements of automotive assemblers and tier 1, 2 & 3 suppliers.

GH拥有专业的团队以及全球项目经验，因此能满足汽车组装商和各级汽车零部件供应商的任何应用需求。

INTEGRAL SOLUTIONS

全方位解决方案

From design stage we offer tailor made solutions to our customers being able to supply all the cranes involved in the typical installations of the sector. The solutions are integral according to the complete process needs demanded by our clients.

从设计阶段起，我们就为客户提供量身定做的方案。我们可提供各行业典型工程中所需要的各类起重机，根据客户提供的完整流程需求，提供全方位解决方案



PROCESS EFFICIENCY

高效流程

The automotive industry uses vast different processes as stamping and pressing car parts to later on assembly them. GH Cranes products and services ensures an optimal process. Customers in this demanding sector has an obsession: EFFICIENCY. GH provides tailor made solutions specially designed to meet our customers' demanding processes ensuring efficiency and enlarging the cranes life span with GH complete turnkey solutions.

汽车制造业涉及多个流程，如汽车部件压制、组装。GH起重机的产品和服务能确保最佳的工作流程。汽车行业要求严格，客户需要的是：效率。GH可按照客户需要，提供量身定制的产品，确保生产流程的高效运行。使用GH提供的整套交钥匙解决方案，有利于提高产品使用寿命。

EFFICIENCY FOCUSED SOLUTIONS

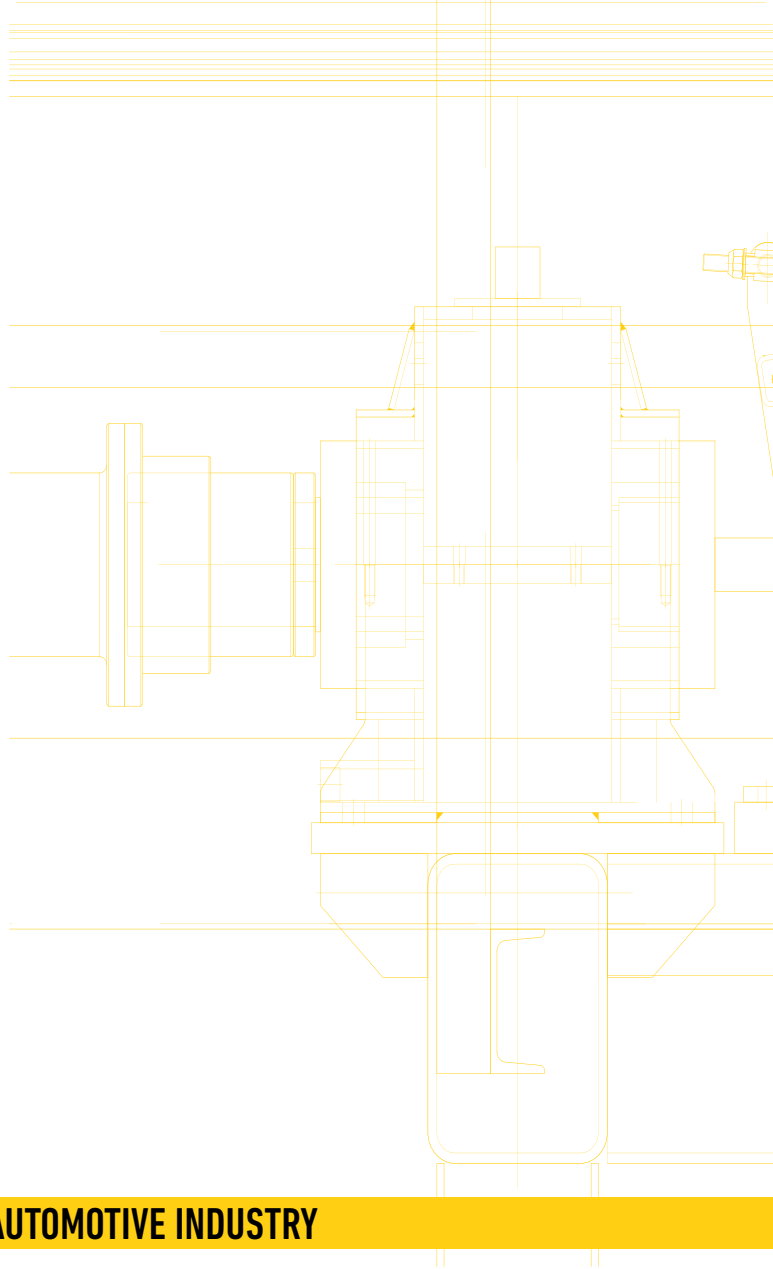
高效方案

Automotive industry has been historically one of the main industrial sectors in which GH solutions have met its demanding needs effectively. Numerous satisfied clients support GH tailor made solutions. Our experience in the sector allows us to drive our clients towards efficiency improvement whichever process/es they are in.

汽车行业一向是GH提供解决方案的重点行业之一。我们运用对该行业的丰富经验，提供专业方案，使我们的很多客户感到满意。不管应用于何种流程，我们都可以帮助客户提高效率。

GH wide range of lifting solutions deliver big savings in construction costs (optimized clearances and side approaches), permit our clients to work in separate work stations (tailor made wall running cranes, jib cranes, carts...) and shorten working cycles (PLCs driven automatic and semi-automatic cranes), which decrease their CAPEX and increase their productivity.

GH方案具有诸多优点：低厂房建设成本低（最佳的净空和侧边极限尺寸），形式多样（定制型壁行吊、旋臂吊、平板小车...），工作周期短（PLC驱动的全自动和半自动起重机），可有效帮助客户减少资本支出，提高生产力。



MAIN ADVANTAGES OF AVAILABLE SOLUTIONS FOR AUTOMOTIVE INDUSTRY

汽车行业的主要优势

• **Semi-automatic and Fully automatic cranes:** PLC controlled cranes ensuring needed shortened working cycles, target positioning avoiding manual controlled inefficiencies and including electronic anti-sway system.

半自动和全自动起重机：PLC控制，确保更短的工作周期；目标定位，防止手动控制的低效率，带电子防摆系统。

• **Vast range of speeds available:** big lifting speeds (up to 15 m/min in STD hoists) and translation speeds (up to 100-120 m/min) to cover big distances in warehouses. Micro speeds (incremental) for precise positioning.

多种可选速度：高起升速度（标准葫芦可至15m/min）和高大车运行速度（可高达100-120 m/min），用于长运行距离厂房。精确定位可使用微动速度（增量式）。

• **Zone restriction:** Protected areas kept safe, eliminating human errors and avoiding damages in your equipment or injuries to your staff.

区域限制：保护区保证安全，减少人工实物，避免对设备或工作人员造成意外损伤。

• **Synchronization in hoisting:** Closed loop controlled (encoder) avoiding load slipping and ensuring a precise and safe loading when using 2 or more lifting points.

起升同步运行：闭环控制（编码器），防止货物滑落，并且当使用2个或以上吊点时保证精确和安全的装载

• **Overload electronic device as standard:**

标配电子超载限制器

• Lifting device loading spectrum and overloads record (black box)

起升设备载荷谱以及超载记录（黑匣子）

• Safety working period (SWF) control

安全工作周期控制

• Alarm activation for preventive inspections

预防性检测警报提醒

• Lifting motor over temperature control input/connection.

起升电机过热控制输入/连接

• Control of starting and braking lifting movement towards movement smoothness, avoiding abrupt movements and increasing life span of motor, brakes and contactors. 启动和制动缓速控制，防止急剧变速，提高电机、制动器、接触器使用寿命。

• **Friendly use:** Remote controls including informative display showing black box info and ergonomic design.

人性化设计：遥控器上带显示屏，显示黑匣子信息，设计符合人体工程。

• **Regenerative inverter controls** saving up to 5% energy, feeding it back to grid.

再生能源变频控制，可节约5%能源，实现能源再利用。



STAMPING PLANT CRANES SOLUTIONS VERSATILITY

冲压厂起重机通用性的解决方案

HYUNDAI HYSCO (Russia) improved his efficiency and safety in managing its coils warehouse adopting the solution proposed by GH, in which the combination of semi-automatic cranes with rail running carts saved inefficiencies and the working cycle was improved around 20% comparing to manual operation.

现代海斯克（俄国）在其线圈仓库使用了GH方案，大大提高了效率和安全性。半自动起重机和轨道式平板车配合使用，工作周期缩短了20%，相对于手动操作，工作效率明显提高。

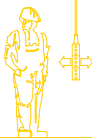
At the same time the safety was dramatically improved including smart tooling for coils handling and positioning.

同时使用智能吊具，用于定位和抓吊线圈，安全性明显增强。

It is important to remark that GH can propose their own tooling or adapt to any tools existent or proposed by our clients, easing the collaboration and being always a partner for our clients. 值得强调的是，GH起重机可选用自配吊具，也可与市场上的其他吊具，或者客户提议的吊具配合使用，有利于双方更好的合作。我们努力成为客户的最佳合作伙伴。

AUTOMOTIVE INDUSTRY CRANES

汽车行业起重机



GH

YOUR PARTNER

GH is aware of the important role of the cranes, that must be operational 24/7 and efficient due to the very demanding processes and thus short cycles required. Layout and complete working cycle are key elements taken into account by our sales team and expert engineers. GH offer includes automated cranes including latest technology to maximize the return on investment of our customers.

GH十分理解客户对起重机的要求。起重机最重要的方面就是能24/7正常操作，在高度流程依赖的行业中高效运行，以缩短所需周期。工厂布局和完整的工作周期是我们的销售团队和工程师团队面对客户需求时考虑的重要因素。GH可提供全自动运行的起重机，配备最先进的技术，以最大程度提高客户投资回报。



PRESS MANUFACTURING CRANES 冲压机制造厂起重机

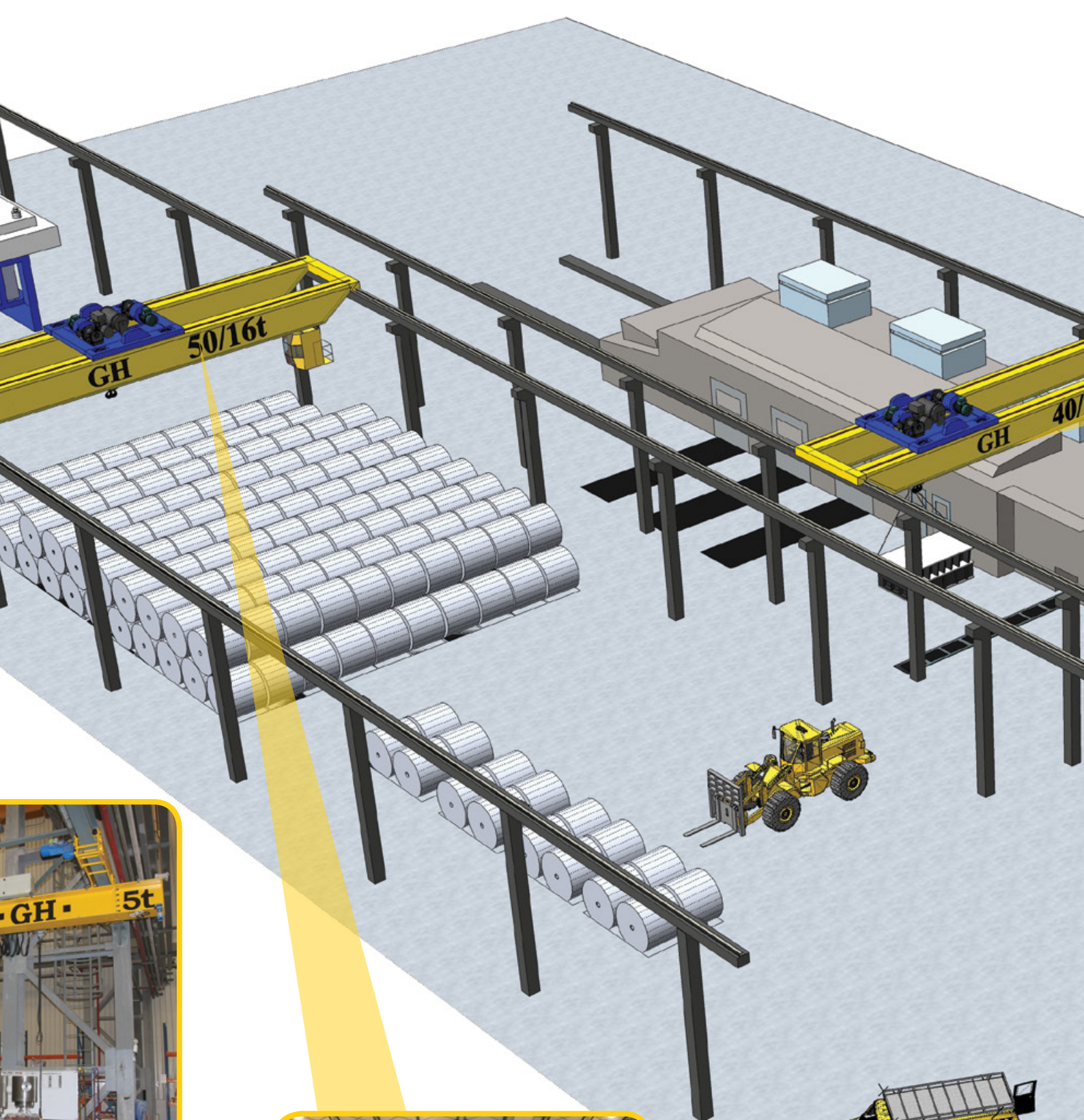
Wide range of cranes used for press parts manufacturing and assembly. We understand that specific processes are needed and tailor made solutions are offered to cover all of them.

汽车部件制造和组装中需要使用各种起重机，
我们可以根据具体流程需求制定方案



Standard hoist mount
such as semiautomatic
handling and cycle assu

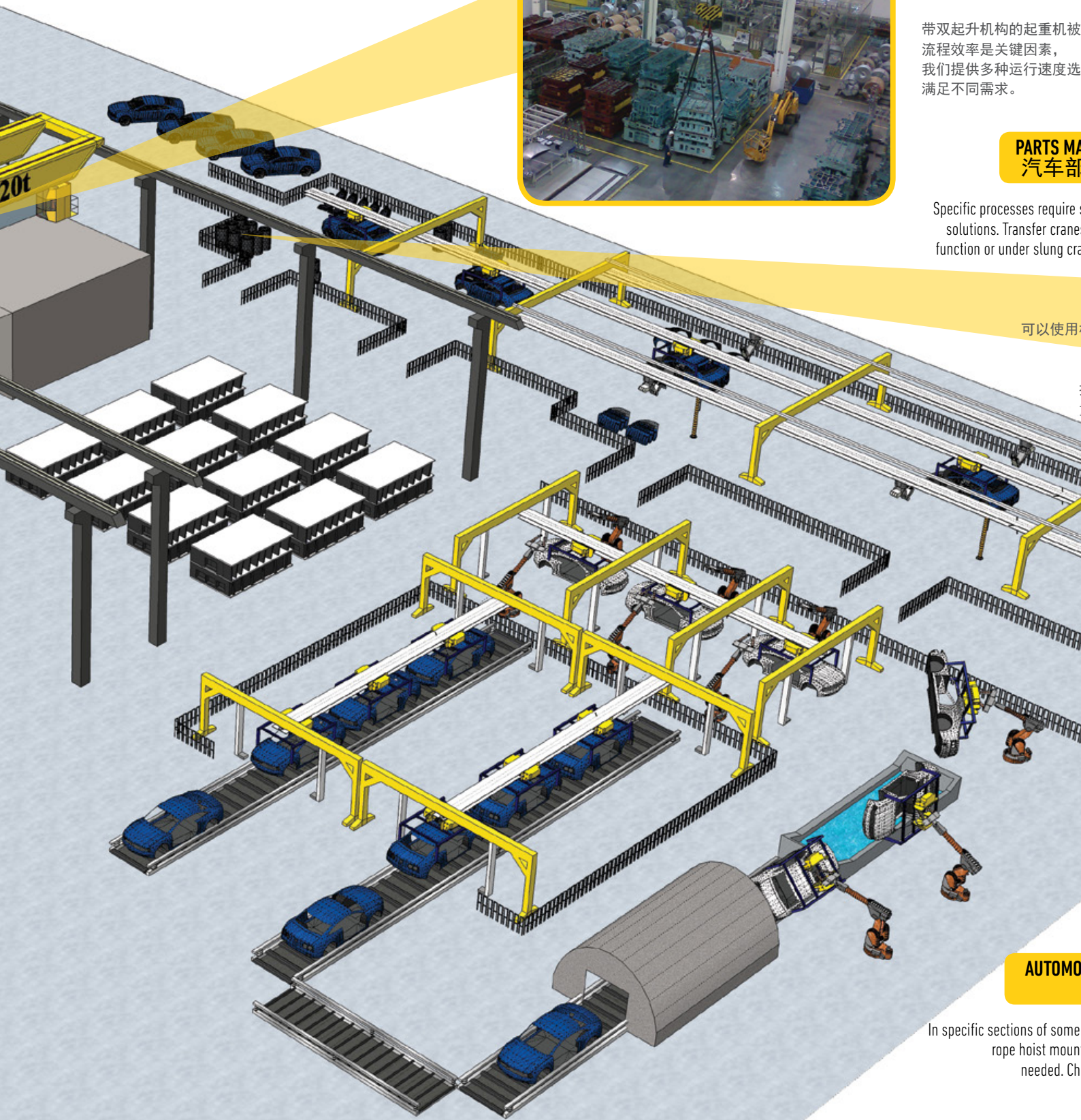
使用电动葫芦的标准
系统。我们会建议客
期



OIL WAREHOUSE MANAGING CRANES
线圈仓库起重机

Equipped cranes equipped with the needed options
 c/automatic operation. Suitable tools for coils
 crance are always advised while we can adapt
 to any tool chosen by our clients.

起重机，可选择半自动或全自动运行系
 户使用合适的线圈搬运工具保证运行周
 ，同时也可以配合使用客户自选吊具。



STAMPING DIES MANAG
冲压模具用起重

Double hook hoist standard c
 efficiency in the process is es
 speeds delivers satisfying so

带双起升机构的起重机被
 流程效率是关键因素，
 我们提供多种运行速度选
 满足不同需求。

PARTS MA
汽车部

Specific processes require
 solutions. Transfer crane
 function or under slung cra

可以使用

AUTOMO

In specific sections of some
 rope hoist mount
 needed. Ch

在某些OEM工厂，需要使用
 的标准起重机。

LIFTING CRANES 起重机

Lifting cranes are most widely used. They are essential and our big range of solutions for our clients.

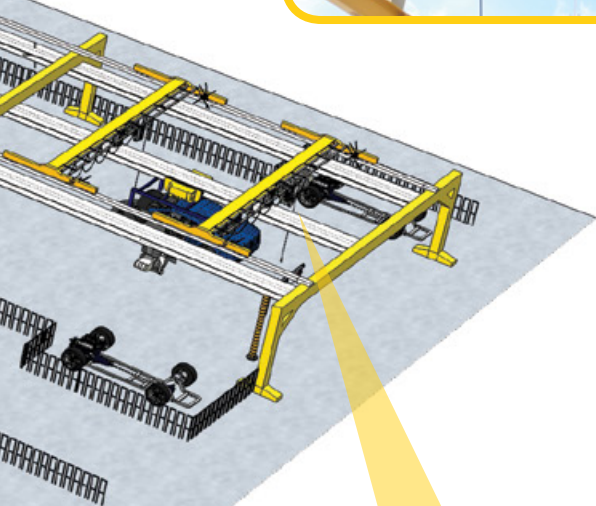
广泛使用。

选择，

MANUFACTURING CRANES 部件制造厂起重机

Specific standard and special cranes equipped with micro-speed hoists are examples of how we understand your needs.

配合具体流程，标准方案或者特殊方案。我们了解客户需求，可根据具体情况，提供带微速功能的过跨起重机或者悬挂式起重机。



AUTOMOTIVE ASSEMBLY CRANES 汽车组装起重机

OEMs factories, Standard wire hoisted cranes up to 16-20 ton are main hoists mounted cranes are also part of our offer.

16-20吨的配备钢丝绳葫芦，我们也可提供环链葫芦。



TYPICAL INSTALLATIONS 典型工程

PRESS MANUFACTURING PLANTS' CRANES (TIER2-3)

冲压机制造工厂起重机（2-3级供应）

- Press parts manufacturing cranes
- Press assembly cranes
- 冲压机部件制造起重机
- 冲压机组装起重机

PARTS MANUFACTURING PLANTS' CRANES (TIER 1-2)

汽车部件制造厂起重机（1-2级供应）

- Transfer cranes
- Automatic hoist mounted cranes
- Service hoists
- Open winch mounted cranes
- 过跨起重机
- 使用电动葫芦的全自动运行起重机
- 使用卷扬机的起重机

AUTOMOTIVE ASSEMBLY PLANTS' CRANES (OEMS)

汽车组装厂起重机（OEM厂）

- Coil warehouse managing cranes (also Tier 1)
- Stamping dies managing cranes (also Tier 1)
- Automotive assembly cranes
- 线圈仓库起重机（1级供应）
- 冲压模具用起重机（1级供应）
- 汽车组装起重机



SHENYANG (CHINA)

沈阳 (中国)

GESTAMP
海斯坦普



KUNSHAN (CHINA)

昆山 (中国)

FAGOR ARRASATE
法格锻压



BARCELONA (SPAIN)

巴塞罗那 (西班牙)

SEAT
西雅特



INGOLSTADT (GERMANY)

因戈尔施塔特 (德国)

AUDI
奥迪



ST. PETERSBURG (RUSSIA)

圣彼得堡 (俄罗斯)

HYUNDAI MOTOR
现代

Experience

业绩



SAO PAULO (BRAZIL)

圣保罗(巴西)

HYUNDAI
现代



SAO PAULO (BRAZIL)

圣保罗(巴西)

VOLVO
沃尔沃



KIROV (RUSSIA)

基洛夫(俄罗斯)

PIRELLI
倍耐力



ST. PETERSBURG (RUSSIA)

圣彼得堡(俄罗斯)

HYUNDAI HYSICO
现代



WRZESNIA (POLAND)

弗热希尼亚(波兰)

GESTAMP
海斯坦普



RELIABILITY 可靠

GH cranes are known due to their durability and reliability, which are important in any industry given but even more important when dealing with process cranes as the ones installed in automotive sector. The whole process depends on those cranes and only best performance can be accepted.

GH起重机以耐用可靠著称，对于任何一个行业应用来讲，这点都是非常重要的，尤其是对于汽车行业的起重机。整个流程的效率很大程度上取决于这几台起重机，因此它们一定要有最佳的运行表现。

SERVICE 售后服务

Service and maintenance plays a key role in our GH product strategy. The Crane should be inspected and maintained before any problem appears in order to avoid stops, and reduce the impact of the operating costs on our customers' profits. GH Cranes uses the best design, delivering a higher quality product, meeting higher requirements than most of the competitors to ensure additional features, reduce the maintenance cost and extend the working life of the investment. 起重机的售后服务和维护保养一直是GH产品战略的重要组成部分。起重机应进行定期的检查和保养，以避免不必要的停机，由此减少客户运营成本。GH 起重机设计合理、质量可靠、性价比高、维护成本低、使用寿命长。

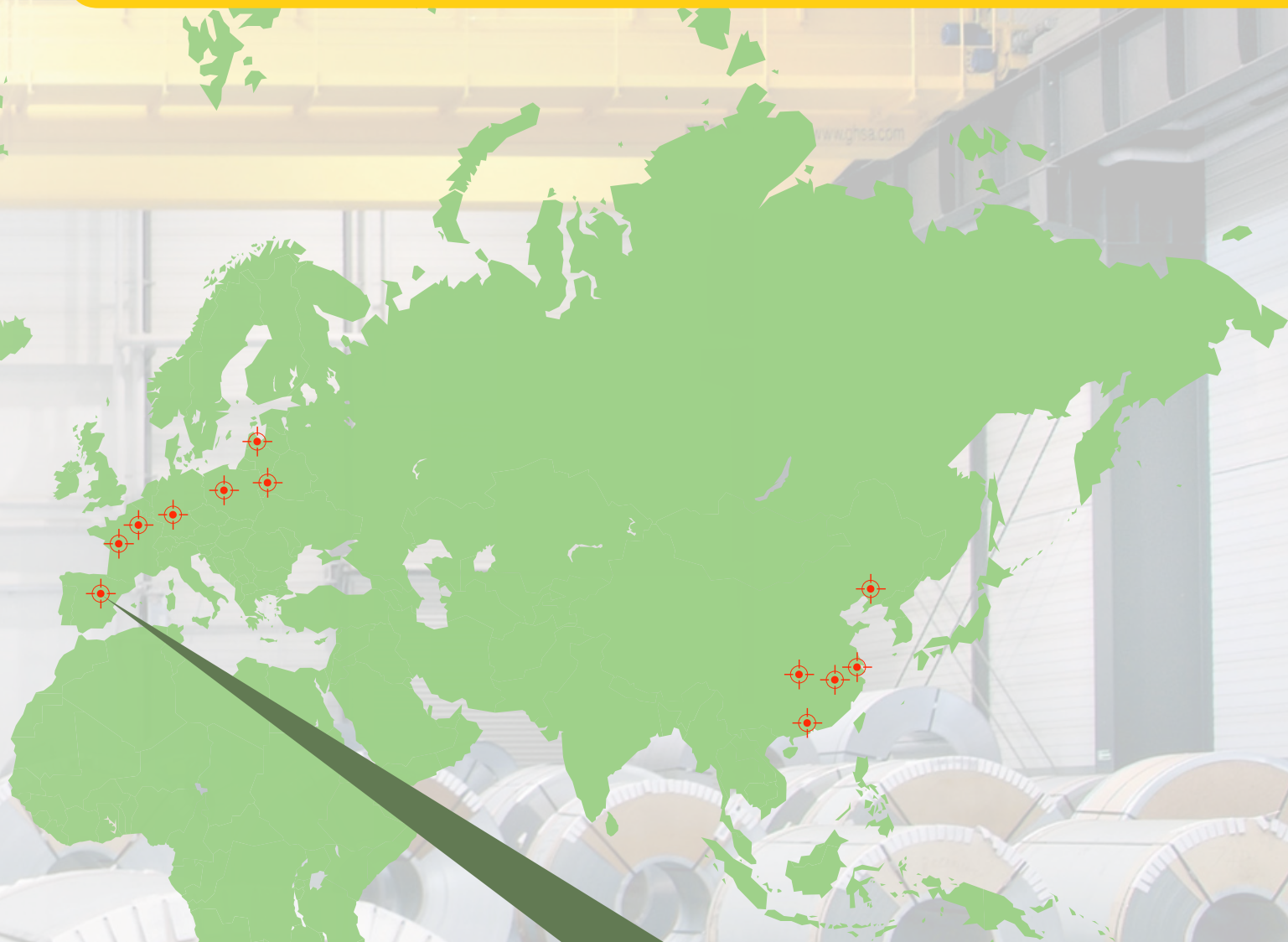
SAFETY 安全

We are not just concerned about the safety of the lifting equipment and the load handled, we are committed to improve the safety performance of the entire production system. 我们不仅仅关注起重设备及吊运载荷的安全，更致力于提升用户整个生产系统的安全性能。



INTERNATIONAL REFERENCES LOCATION

全球业绩分布



- | | | | | |
|-------------------------------------|-------------------------------------|------------------------------|------------|--------------------|
| Audi | CITROËN | HYUNDAI | SEAT | VOLVO |
| arisasa | GRUPO DOVER SISTEMA DE TRUQUELES | ESSA Palau ESSA Group | EURO STEEL | GRUPO ANTOLIN |
| FAGOR FAGOR Arrasate S.Coop. | GESTAMP IBM | Gonvarri Steel Industries | MATRICI | MECAPLAST GROUP |
| HYUNDAI HYSKO | YUNDAI MOBIS | MÖLLER WEINGARTEN | PEGUFORM | STADCO |
| Metalsa Quality as a way of life | | | | |



GH

Cranes & Components

GH (SHANGHAI) LIFTING EQUIPMENT CO.,LTD.

Floor.7, No.966 · Huaxu Road

Qingpu District · Shanghai

Tel.: +86-021-5988 7676

Fax: +86-021-5988 7575

杰起（上海）起重设备有限公司

上海市青浦区华徐公路

966号7楼

电话：+86-021-5988 7676

传真：+86-021-5988 7575

ghcranes@ghsa.com.cn

www.ghsa.com