

- GH -
CRANES & COMPONENTS

**LIFTING
YOUR
WORLD**

The Result Of The Experience

经验成果

INNOVATION WHICH DELIVERS VALUE 创新创造价值

WHICH OF THE BELOW CHARACTERISTICS WOULD YOU REQUIRE FOR A NEW MACHINE YOU ARE ABOUT TO BUY?
在采购新设备时你有什么要求？

Experienced Manufacturer 经验丰富的制造商

Vanguard technology 领先技术

The highest Safety standards 最高的安全标准

Extended Reliability 长期可靠性

Maximum Efficiency 高效率

Proven Robustness 久经验证的坚固耐用性

Modern and compact design 现代而紧凑的设计

Minimum Maintenance 维护率低

User friendliness 用户友好性



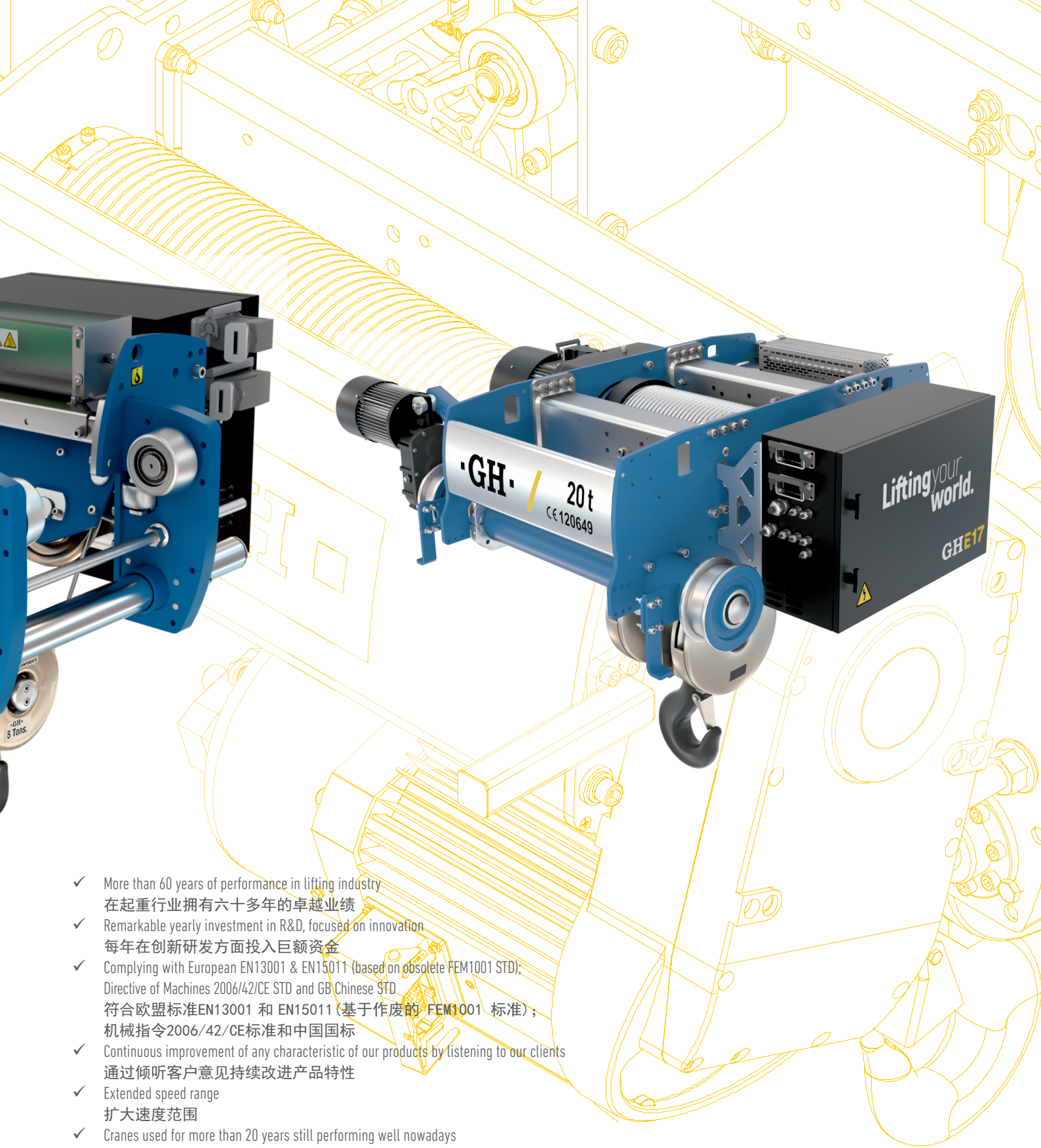
Own 8 manufacturing Facilities
拥有 8 个制造基地

Selling to over 60 Countries
and Regions
业务超过 60 个国家和地区

Over 60 Years of performance
in cranes industry
超过 60 年起重机制造
行业经验

Over 80 Years of history
超过 80 年历史

Over 125,000 global successful
installations
全球有12.5万多个成功安
装案例



- ✓ More than 60 years of performance in lifting industry
在起重行业拥有六十多年的卓越业绩
- ✓ Remarkable yearly investment in R&D, focused on innovation
每年在创新研发方面投入巨额资金
- ✓ Complying with European EN13001 & EN15011 (based on obsolete FEM1001 STD);
Directive of Machines 2006/42/CE STD and GB Chinese STD
符合欧盟标准EN13001 和 EN15011 (基于作废的 FEM1001 标准);
机械指令2006/42/CE标准和中国国标
- ✓ Continuous improvement of any characteristic of our products by listening to our clients
通过倾听客户意见持续改进产品特性
- ✓ Extended speed range
扩大速度范围
- ✓ Cranes used for more than 20 years still performing well nowadays
已使用二十多年的起重机如今仍然性能优良
- ✓ State of the art materials used for each component
每个部件都采用最新技术的材料
- ✓ Elements tested for 100,000 hours under the worst conditions
元件在最恶劣的条件下经受试验长达10万小时
- ✓ Latest technologies applied to improve the user experience in any industry
利用最新技术改善任何行业的用户体验

WHY BOTHER CHOOSING IF YOU CAN HAVE THEM ALL?
如果能够全部拥有的话为什么还要为如何选择而纠结?

GH

YOUR PARTNER

The New Generation

最新一代

GH NEW HOIST SERIES: GHA12 (UP TO 3.2T), GHB11 (UP TO 6.3T) & GHD13 (UP TO 12.5T)

GH新葫芦系列:GHA12(起重量达到3.2T)、GHB11(起重量达到6.3T)以及GHD13(起重量达到12.5T)

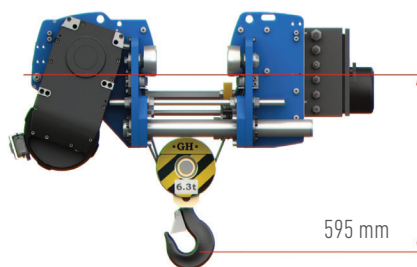


- **Totally modular**, screwed mounting: easy maintenance.
整体模块化设计，螺丝拼装，维护简易
- **Design in C** decreasing side approaches in single girder versions.
C型设计，单梁起重机两侧极限尺寸减小
- **Improved materials used** increasing hoist life span.
使用材料改进，增加使用寿命
- **Frequency inverters as standard on all movements** (2 speeds in lifting optional).
所有动作标配变频器 (xxxxxx)
 - Increased life of mechanical components. 机械部件使用寿命长
 - Speed control by inverter, selectable speeds. 变频器控制速度，速度可选
 - Precise handling and smoothness in movement. 操控精准，运行平稳
 - Easier dual hoists lifting speeds synchronization. 更易实现两台起重机速度同步
- **No counterweights** in Low headroom version as standard: 低净空形式标配无配重

- Less moments of inertia. 减小惯性矩
- Less weight, less power consumption. 自重轻，耗能小
- **Polymer rope guide**: increased rope life span with less wear.
塑料导绳器，钢丝绳磨损小，寿命长
- **M5 (min) – M7 working groups** in all its versions.
新葫芦所有形式的工作级别为M5
- **ALE 100T Load limiter**: Display of load and SWP (Safe Working Period) on the remote (optional).
ALE 100T 载荷限制器：在远程显示器(选项)上显示载荷与安全工作周期(SWP)
- **Flange width**: Smoothly adjustable. 凸缘宽度:可顺利进行调整
 - Easier dual hoists lifting speeds synchronization.
更易实现两台起重机速度同步

COMPACT DESIGN 紧凑设计

Reduced approaches
最小极限尺寸

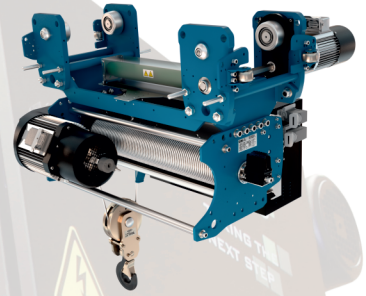


Configurations Covering Any Need

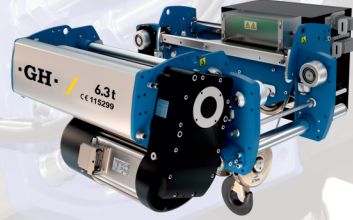
配置能够满足任何需求



Foot mounted hoist
底部固定式葫芦



Single girder hoist
单梁小车



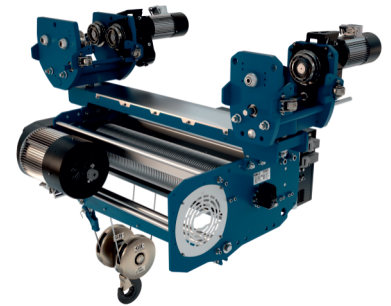
Low headroom single girder hoist
低净空单梁葫芦



Standard double girder hoist (tubes)
标准双梁小车

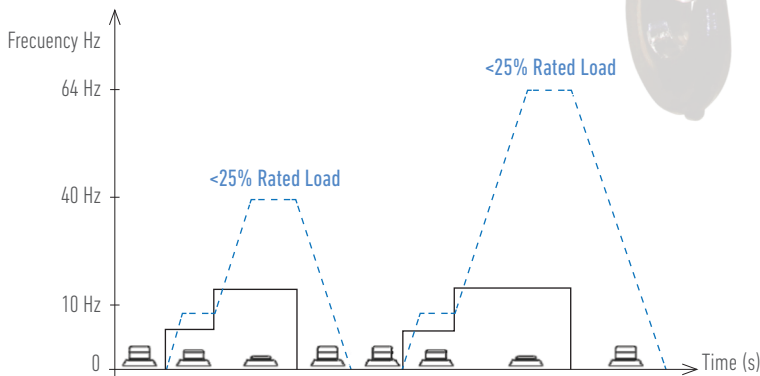


Double girder crab with end carriages
带小车架的双梁小车

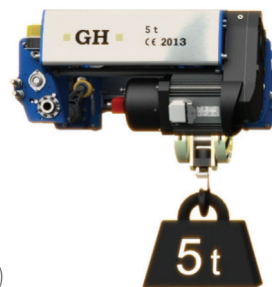


Single girder slewing hoist
单梁回转葫芦

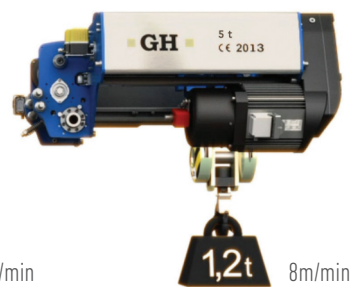
SPEED INCREASED 速度扩展



When load is < 25% of the nominal one, the fast speed increases by 60%
当负重 < 25% 额定载重, 快速速度提高 60%



5t
5m/min



12t
8m/min

Characteristics

产品特点

SAFETY

安全

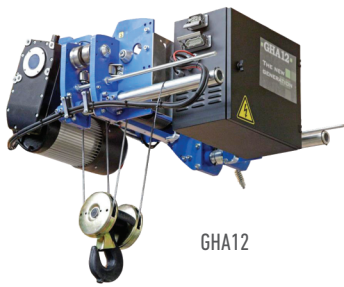
- Rope safety factor ≥ 5 in accordance with Directive of Machines 2006/42/CE STD.
钢丝绳安全系数 ≥ 5 , 符合机械指令 2006/42/CE 标准
- Double limit switch on lifting. 在起重装置上设置双限位开关
- Safe working period control. 安全工作时间控制
- Load swing control. 防摆控制
- Operation and maintenance monitoring. 运行与维护跟踪
- Load slip preventing feature. 载荷防滑特性
- Slack rope indication. 松绳提示
- Protection against phase inversion or phase loss. 可防止反相或失相
- Motor overheating protection. 电机过热保护
- Overload limit device. 超载限制装置
- Reliable load clamping by safety latch.
通过安全门实现载荷的可靠固定

FEATURES

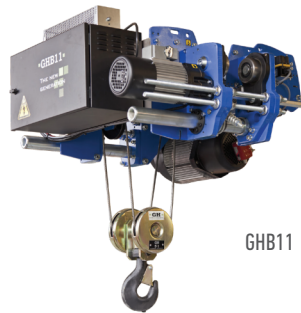
特性

- Modular design, allowing flexibility on falls interchange (4/1, 2/1, 4/2, etc.).
模块化设计, 可提高绕绳方式互换的灵活性 (4/1、2/1、4/2等)
- Lightweight, no counterweight reducing stress on the structure.
轻型设计, 无需配重, 降低对结构的应力
- Brake just used as parking brake, by controlling acceleration and deceleration by inverters, increasing the lifespan of the components.
通过由变频器对加速与减速进行控制仅将制动装置用作停车制动装置, 从而延长部件的使用寿命

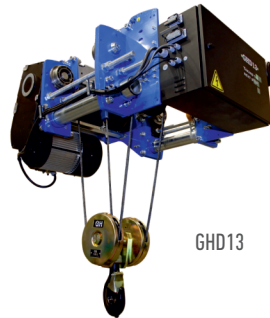
HOIST 型号	FALLS 绕绳方式	Capacity 起重量	HOL 起升高度
GHA12	2/1	up to 1.6t	21.6 m
	4/1	up to 3.2t	10.8 m
GHB11	2/1	up to 3.2t	23.6 m
	4/1	up to 6.3t	10.0 m
GHD13	2/1	up to 6.3t	36.5 m
	4/1	up to 12.5t	15.6 m
GHE17	2/1	up to 10t	44.6 m
	4/1	up to 20t	22.3 m



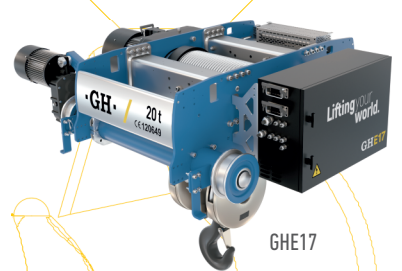
GHA12



GHB11



GHD13



GHE17

A12 R 6 41 4 H2 M5

FEM Group (M5,...,M7) / 工作级别 (M5, ... M7)

Height of lifting (H1,...,H6) / 起升高度 (H1, ... H6)

Hoisting speed (4 m/min= 04) / 起升速度 (4m/min=04)

Wire rope falls (2/1; 4/1; 4/2; ...) / 钢丝绳绕绳方式 (2/1; 4/1; 4/2)

Lifting capacity (Eg.: 3,2 t=03; 10 t=10) / 起重量 (例如: .3, 2t=03; 10t=10)

Hoist type. Execution (F: Fixed hoist; N: Normal headroom; R: Low headroom; B: Double girder standard; T: Double girder with end girders) / 葫芦类型 (F: 固定式葫芦; N: 标准单梁葫芦; R: 低净空单梁葫芦; B: 标准双梁葫芦; T: 带端梁双梁葫芦)

Hoist type. Size (A12, B11, D13) / 葫芦系列 (A12, B11, D13)

STANDARD HOIST

标准葫芦

- Frequency inverter in hoisting motion.
葫芦起升和小车运行均采用变频电机驱动。
- Rated hoisting speed increased 60% when Load $\leq 25\%$ Rated.
起重载荷不超过额定载荷的25%时, 起升速度可达额定速度的1.6倍。

OPTIONALS

选项

- Pole-changing hoisting motor. 起升双速电机
- Second brake in drum. 第二卷筒制动器
- Double girder trolley cover. 双梁小车防护罩
- Double girder trolley maintenance platform. 双梁小车维修平台
- Other options available. 其他可选

* GHA12 only available in single girder low headroom version.
GHA12仅适用于单梁低净空葫芦。

* 1/1 and 2/2 falls only available in 2 speeds version.
1/1 和 2/2 绕绳方式仅适用于双速电机。

* Bigger HOL or lifting speeds available for each model under request.
可根据要求为各种型号提供更高的升降高度或升降速度。

New Series Selection Table

新葫芦选型表

Capacity [kg] 起重量	Hoist type 型号 CODE	FEM Group 工作级别 FEM	Reeving 绕绳方式 FALL	FI Lifting [m/min] 起升变频 V	Rated power [Kw] 额定起升功率 P	Height of lifting HOL [m] 起升高度					
						H1	H2	H3	H4	H5	H6
1000	GHA12_014105M6	M6	4/1	5	3,1	4,5	8	10,8			
	GHA12_012110M6	M6	2/1	10		9	16	21,6			
	GHB11_012216M5	M5	2/2	16	5	4	10,3	15,4	20,5		
	GHB11_012220M5	M5		20							
	GHB11_011116M5	M5	1/1	16		14,5	27,1	37,2	47,3		
	GHB11_011120M5	M5		20							
1600	GHA12_014105M6	M6	4/1	5	3,1	4,5	8	10,8			
	GHA12_012110M6	M6	2/1	10		9	16	21,6			
	GHB11_012216M5	M5	2/2	16	5		10,3	15,4	20,5		
	GHB11_011116M5	M5	1/1	16		14,5	27,1	37,2	47,3		
	GHD13_012220M6	M6	2/2	20	9,5		15,9		31	38,5	46
	GHD13_011120M6	M6	1/1	20		15,2	28,8		51	61,9	72,8
2000	GHA12_024105M6	M6	4/1	5	3,1	4,5	8	10,8			
	GHB11_024208M5	M5	4/2	8	5		5	7,5	10		
	GHB11_024210M5	M5		10							
	GHB11_022108M5	M5	2/1	8		7,26	13,55	18,6	23,6		
	GHB11_022110M5	M5		10							
	GHD13_022216M5	M5	2/2	16	9,5		15,9		31	38,5	46
	GHD13_022220M6	M6		20							
	GHD13_021116M6	M6	1/1	16		15,2	28,8		51	61,9	72,8
	GHD13_021120M6	M6		20							
	GHA12_024105M6	M6	4/1	5	3,1	4,5	8	10,8			
2500	GHB11_024208M5	M5	4/2	8	5		5	7,5	10		
	GHB11_024210M5	M5		10							
	GHB11_022108M5	M5	2/1	8		7,26	13,55	18,6	23,6		
	GHB11_022110M5	M5		10							
	GHD13_024210M6	M6	4/2	10	9,5		7		14,7	18,5	22,3
	GHD13_022110M6	M6	2/1	10		7,6	14,4		25,5	31	36,5
	GHD13_022216M6	M6	2/2	16			15,9		31	38,5	46
	GHD13_022220M5	M5		20							
	GHD13_021116M6	M6	1/1	16		15,2	28,8		51	61,9	72,8
	GHD13_021120M6	M6		20							
	GHE17_021116M6	M6	1/1	16		18,4	29,7	44	55,3	66,6	89,1
	GHE17_022216M6	M6	2/2	16		6,1	13,3	22,5	29,6	36,8	51,1
	3200	GHA12_034105M5	M5	4/1	5	3,1	4,5	8	10,8		
		GHB11_034105M5	M5	4/1	5	5	3,6	6,8		10	
GHB11_034208M5		M5	4/2	8			5	7,5	10		
GHB11_032108M5		M5	2/1	8		7,26	13,55	18,6	23,6		
GHD13_034210M6		M6	4/2	10	9,5		7		14,7	18,5	22,3
GHD13_032110M6		M6	2/1	10		7,6	14,4		25,5	31	36,5
GHD13_032216M5		M5	2/2	16			15,9		31	38,5	46
GHD13_031116M5		M5	1/1	16		15,2	28,8		51	61,9	72,8
GHE17_031116M6		M6	1/1	16		18,4	29,7	44	55,3	66,6	89,1
GHE17_032216M6		M6	2/2	16		6,1	13,3	22,5	29,6	36,8	51,1
4000	GHB11_044104M5	M5	4/1	4	5	3,6	6,8		10		
	GHB11_044105M5	M5		5							
	GHD13_044208M6	M6	4/2	8	9,5		7		14,7	18,5	22,3
	GHD13_044210M6	M6		10							
	GHD13_042108M6	M6	2/1	8		7,6	14,4		25,5	31	36,5
	GHD13_042110M6	M6		10							
	GHE17_041116M6	M6	1/1	16		18,4	29,7	44	55,3	66,6	89,1
5000	GHE17_042216M6	M6	2/2	16		6,1	13,3	22,5	29,6	36,8	51,1
	GHB11_054104M5	M5	4/1	4	5	3,6	6,8		10		
	GHB11_054105M5	M5		5							
	GHD13_054105M6	M6	4/1	5	9,5	3,8	7,2		10	12,8	15,6
	GHD13_054208M6	M6	4/2	8			7		14,7	18,5	22,3
	GHD13_054210M5	M5		10							
	GHD13_052108M6	M6	2/1	8		7,6	14,4		25,5	31	36,5
	GHD13_052110M5	M5		10							
	GHE17_051116M5	M5	1/1	16		18,4	29,7	44	55,3	66,6	89,1
	GHE17_052108M6	M6	2/1	8		9,2	14,9	22	27,7	33,3	44,6
6300	GHE17_052216M5	M5	2/2	16		6,1	13,3	22,5	29,6	36,8	51,1
	GHE17_054208M6	M6	4/2	8			6,6	11,2	14,8	18,4	25,5
	GHB11_064104M5	M5	4/1	4	5	3,6	6,8		10		
	GHD13_064105M6	M6	4/1	5	9,5	3,8	7,2		10	12,8	15,6
	GHD13_064208M5	M5	4/2	8			7		14,7	18,5	22,3
	GHD13_062108M5	M5	2/1	8		7,6	14,4		25,5	31	36,5
8000	GHE17_062108M6	M6	2/1	8		9,2	14,9	22	27,7	33,3	44,6
	GHE17_062212M4	M4	2/2	12		6,1	13,3	22,5	29,6	36,8	51,1
	GHE17_064208M6	M6	4/2	8			6,6	11,2	14,8	18,4	25,5
	GHD13_084104M6	M6	4/1	4	9,5	3,8	7,2		10	12,8	15,6
	GHD13_084105M6	M6		5							
	GHE17_082108M6	M6	2/1	8		9,2	14,9	22	27,7	33,3	44,6
10000	GHE17_084208M6	M6	4/2	8			6,6	11,2	14,8	18,4	25,5
	GHD13_104104M6	M6	4/1	4	9,5	3,8	7,2		10	12,8	15,6
	GHD13_104105M5	M5		5							
	GHE17_102108M5	M5	2/1	8		9,2	14,9	22	27,7	33,3	44,6
	GHE17_104104M6	M6	4/1	4		4,6	7,4	11	13,8	16,6	22,3
12500	GHE17_104208M5	M5	4/2	8			6,6	11,2	14,8	18,4	25,5
	GHD13_124104M5	M5	4/1	4	9,5	3,8	7,2		10	12,8	15,6
	GHE17_124104M6	M6	4/1	4		4,6	7,4	11	13,8	16,6	22,3
16000	GHE17_124206M4	M4	4/2	6			6,6	11,2	14,8	18,4	25,5
	GHE17_164104M6	M6	4/1	4	15/2,5	4,6	7,4	11	13,8	16,6	22,3
20000	GHE17_204104M5	M5	4/1	4	15/2,5	4,6	7,4	11	13,8	16,6	22,3

Big Capacity Hoists 16t-100t

大起重量葫芦 16t-100t

SERIES 系列: GHE, GHF, GHG



FOOT MOUNTED

固定式葫芦



SG TROLLEY

单梁小车

SWL ≤ 20t as STD,
HOL ≤ 57.8 m
SWL ≤ 40t on request



DG STD TROLLEY

超薄型双梁小车

SWL ≤ 32t
HOL ≤ 28m



DG EC TROLLEY

双梁小车



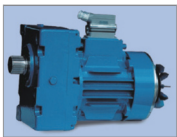
DG DUAL EC TROLLEY

双梁双葫芦小车式葫芦

SWL ≤ 100t
HOL ≤ 69 m

FEATURES

特性



GEARBOX 减速器

Robust and compact, situated on the exterior, allowing ease of access, gears in oil bath. The helical teeth in all the gears are cut with great precision, in cemented steel, assuring silent running, great reliability and long life. The drive from the motor to the gearbox is direct, avoiding coupling devices which have a tendency to fail.

稳固, 精密, 置于表面, 便于连接维护。油浴润滑。各齿轮的螺旋齿高精度加工, 采用表面热处理提高硬度, 无运转噪音, 稳定性强寿命长久。为有效避免联轴器故障, 电机和减速器间的驱动是直连式的。

LIFTING MOTOR 起升电机

The hoist has a cylindrical short circuit motor with an incorporated electromagnetic brake. The motor and brake have been designed for continuous service with high duty factors and cycles. The brakes are electromagnetic disc. They offer great reliability and automatic braking in the event of power failure. The friction linings are long lasting and the brake is easy to regulate. Protection IP-55 to DIN 40050.

电动葫芦包括一个带平面盘式制动圆柱电动机。电机和制动的的设计是保证高效率, 高循环性的连续性运行。制动器即使在电源断电时, 也具有稳定性和自动制动的功能。摩擦衬垫寿命长, 制动系统具有自动补偿功能。产品符合欧洲DIN 40050 标准, 防护等级: IP-55。



WHEELS 车轮

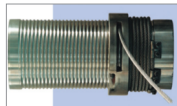
Dependant on the hoist model, the wheel material can be GG 60 for monorail hoists and GGG 70 (nodular cast iron with graphite structure) for birrail crabs. As shown, drive is via a direct splined axle.

根据不同的葫芦型号, 车轮的制作材料可分为: 材质GG60, 适用于单梁葫芦; 材质GGG70(球墨铸铁石墨结构), 适用于双梁小车。如图所示, 驱动通过花键轴连接完成。



TRAVELLING GEARED MOTORS 三合一运行减速机

Are specially designed for crane application. Low torque high inertia drives, provide gradual acceleration and smooth deceleration without excessive swing. 三合一运行减速机是专为起重设备设计的。低转速大扭矩的驱动可有效避免机器在逐渐加速和平稳减速中的猛烈晃动。



DRUM & CABLE GUIDE 卷筒和导绳器

Constructed from a seamless steel tube with grooves machined according to DIN15061. The groove is machined dependant on the wire rope exits i.e. 1 or 2 exits. The drum is fitted to the hoist frame using high quality, self lubricating, commercial bearings. The drive from the gearbox to the drum is via a direct splined shaft. The rope guide is manufactured from GGG70 nodular cast iron with self lubricating graphite, which also gives particular resistance to wear. 卷筒是根据DIN15061标准, 用无缝钢管加工而成。绳槽根据钢丝绳的缠绕方式加工, 分单出绳, 双出绳。卷筒置于电动葫芦结构件上, 采用高质量, 自润滑的通用轴承支撑。减速器和卷筒之间的驱动是直接通过花键轴实现的。导绳器的材质为球墨铸铁GGG70, 具有自润滑石墨性和耐磨性。



PUSH BUTTON PENDANT 按键式手电门

Is manufactured from high impact poly-propylene and provides double insulation. The various motions are controlled by push-buttons which are colour coded as well as being identified by internationally recognised symbols. Low dead weight and ergonomically styled housing reduces operator's fatigue.

按键式手电门由聚丙烯制成, 具有双层绝缘防护作用。不同的动作通过国际通用的标准彩色按钮完成。手电门自重轻, 且是根据人体工学特别设置的外壳, 可帮助操作人员缓解疲劳。



OVERLOAD LIMIT DEVICE 超载限制器

All of our hoists are fitted with an electro-mechanical load cell as standard (electronic control). This load cell consists mainly of 2 parts:

- A electronic cell pin
 - Load cell unit (to be installed in the electric panel).
- 所有的电动葫芦都配有电子式载荷限制器(电控)。荷重传感器主要由两部分组成:
- 测量单元
 - 电子式载荷限制器(装在电控柜里)。



LIMIT SWITCH 限位开关

Is located in the drum axle. It limits hook movement in the up and down motions.

限位开关安装在卷筒轴的尾端, 是葫芦上下运行限位。



ELECTRICAL CABINET 电控柜

A white metallic box located on the hoist frame, allowing easy access to the electrical control components.

电控柜是一个银白色金属箱, 置于葫芦结构件上, 用于各电气控制元件的安装。



BOTTOM HOOK BLOCK 吊钩组

The sheaves' groove is made according to DIN 15061. The cross pin and nut are machined according to DIN 15412 & 15413. The hooks are selected according to DIN15400 and machined to DIN 15401 & 15402, depending on whether they are single or double.

滑轮组的钩身的机加工按照DIN15061标准。吊钩横梁和螺母的机加工依据标准DIN15412和DIN15413。根据标准DIN15400, 选择单钩或双钩。根据标准DIN15401和DIN15402分别加工单钩吊钩和双钩吊钩。

Big Capacity Hoists Selection Table

大吨位葫芦选型表

E B 20 41 4 H2 M5

FEM Group (M3,...,M7) / 工作级别 (M3, . . . , M7)
Height of lifting (H1,...,H9) / 起升高度 (H1, . . . , H9)
Hoisting speed (4 m/min= 04) / 起升速度 (4m/min=04)
Wire rope falls (2/1; 4/1; 4/2; ...) / 钢丝绳绕绳方式 (2/1; 4/1; 4/2)
Lifting capacity (Eg.: 20t=20; 40t=40) / 起重量 (例如: . 20t=20; 40t=40)
Hoist type. Execution (F: Fixed hoist; N: Normal headroom; R: Low headroom; B: Double girder standard; T: Double girder with end girders) / 葫芦类型 (F: 固定式葫芦; N: 标准单梁葫芦; R: 低净空单梁葫芦; B: 标准双梁葫芦; T: 带端梁双梁葫芦)
Hoist type. Size (E, F, G) / 葫芦系列 (E, F, G)

* Bigger HOL or lifting speeds available for each model on request.

可根据要求为各种型号提供更高的升降高度或升降速度

• Robustness as main characteristic.

坚固耐用性作为主要特性

• Small crab approach to enlarge the working area.

小车极限尺寸小，从而扩大工作区域

• Tailor made solutions on request: rotatory, turning, cradled, over-running, cantilever, etc.

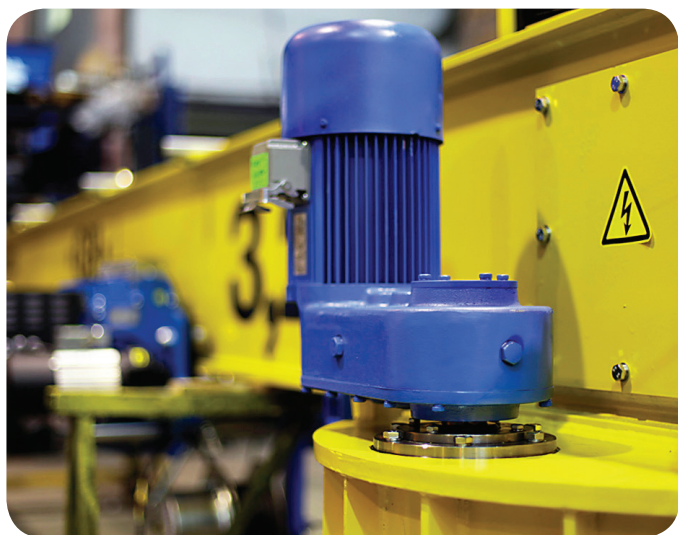
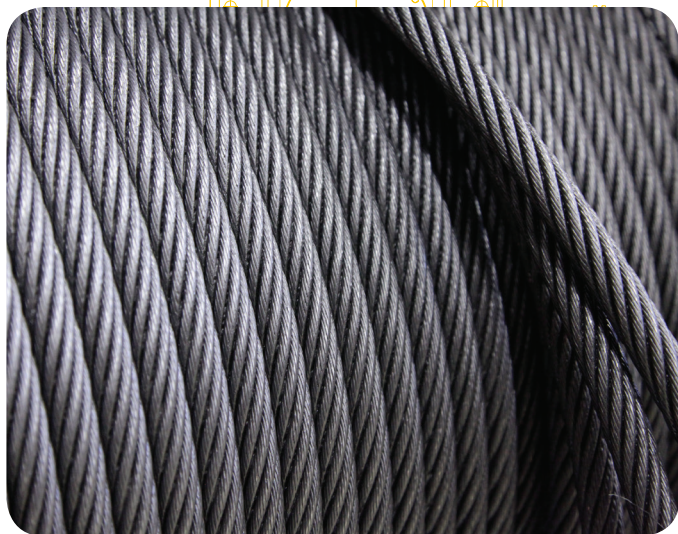
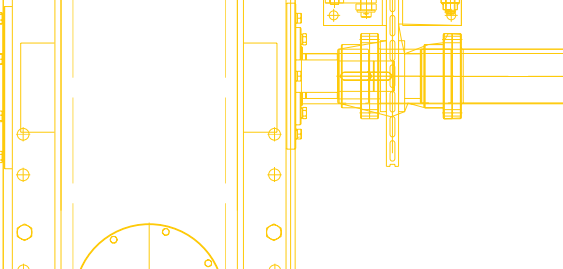
根据要求提供量身定制的解决方案：旋转型、转动型、吊架型、桥架型、悬臂型等

Capacity [kg] 起重量 SWL	Hoist type 型号 CODE	FEM Group 工作级别 FEM/ISO	Reeving 绕绳方式 FALL	Pole-changing 起升双速 Lifting [m/min] V	FI Lifting [m/min] 起升变频	Rated power [Kw] 额定起升功率 P	Height of lifting HOL [m] 起升高度											
							H1	H2	H3	H4	H5	H6	H7	H8	H9			
16000	GHF16_4208M6	M6	4/2	8/1.33		25/4.17	8.7	12.3	15.8	19.3	22.8	26.3	35					
	GHF16_4208M4	M4																
	GHF16_2108M5	M5	2/1	8/1.33			21.6	27.5	33.3	39.1	44.9	50.7	65.2					
	GHG16_4212M7	M7	4/2		1.2-12	45	8	11.6	15.2	22.4	26	35	43	53	62			
20000	GHF20_4104M6	M6	4/1	4/0.67		19/3.17	9	11.9	14.8	17.7	20.6	27.8	35					
	GHF20_4208M5	M5	4/2	8/1.33		30/5	8.7	12.3	15.8	19.3	22.8	26.3	35					
	GHF20_4208M4	M4																
	GHF20_2108M5	M5	2/1	8/1.33			19	24	29.2	34.4	39.6	44.8	57.8					
25000	GHG20_4212M6	M6	4/2		1.2-12	45	8	11.6	15.2	22.4	26	35	43	53	62			
	GHF25_8204M6	M6	8/2	4/0.67		19/3.17	8.5	14	18.5	23	27.3	31.8						
	GHF25_4104M6	M6	4/1	4/0.67			9	11.9	14.8	17.7	20.6	27.8	35					
	GHF25_4104M4	M4																
32000	GHG25_4212M5	M5	4/2		1.2-12	55	8	11.6	15.2	22.4	26	35	43	53	62			
	GHF32_8204M5	M5	8/2	4/0.67		25/4.17	8.5	14	18.5	23	27.3	31.8						
	GHF32_4104M5	M5	4/1	4/0.67			9	11.9	14.8	17.7	20.6	27.8	35					
	GHF32_4104M4	M4																
40000	GHG32_8206M7	M7	8/2		0.6-6	45	13.2	17.7	22.2	26.7	31.2							
	GHG32_4208M5	M5	4/2		0.8-8	55	8	11.6	15.2	22.4	26	35	43	53	62			
	GHF40_12203M6	M6	12/2	3.2/0.53		30/5	9.3	12.3	15.3	18.3	21.3							
	GHF40_8204M5	M5	8/2	4/0.67			8.5	14	18.5	23	27.3	31.8						
50000	GHF40_8204M4	M4																
	GHF40_4104M4	M4	4/1	4/0.67			8.3	11	13.6	16.3	18.9	25.5	32					
	GHG40_8206M6	M6	8/2		0.6-6	55	13.2	17.7	22.2	26.7	31.2							
	GHF50_12203M4	M4	12/2	3.2/0.53		30/5	9.3	12.3	15.3	18.3	21.3							
63000	GHG50_12204M7	M7	12/2		0.4-4	45	8.8	11.8	14.8	17.8	20.8							
	GHG50_8204M5	M5	8/2		0.4-4		13.2	17.7	22.2	26.7	31.2							
	GHF63_12202M3	M3	12/2	2.6/0.43		30/5	9.3	12.3	15.3	18.3	21.3							
80000	GHG63_12204M6	M6	12/2		0.4-4	55	8.8	11.8	14.8	17.8	20.8							
	GHG63_8204M4	M4	8/2		0.4-4		13.2	17.7	22.2	26.7	31.2							
	GHF80_12203M5	M5	12/2		0.33-3.3	55	8.8	11.8	14.8	17.8	20.8							
100000	GHG100_12202M4	M4	12/2		0.26-2.6	55	8.8	11.8	14.8	17.8	20.8							



Service

售后服务

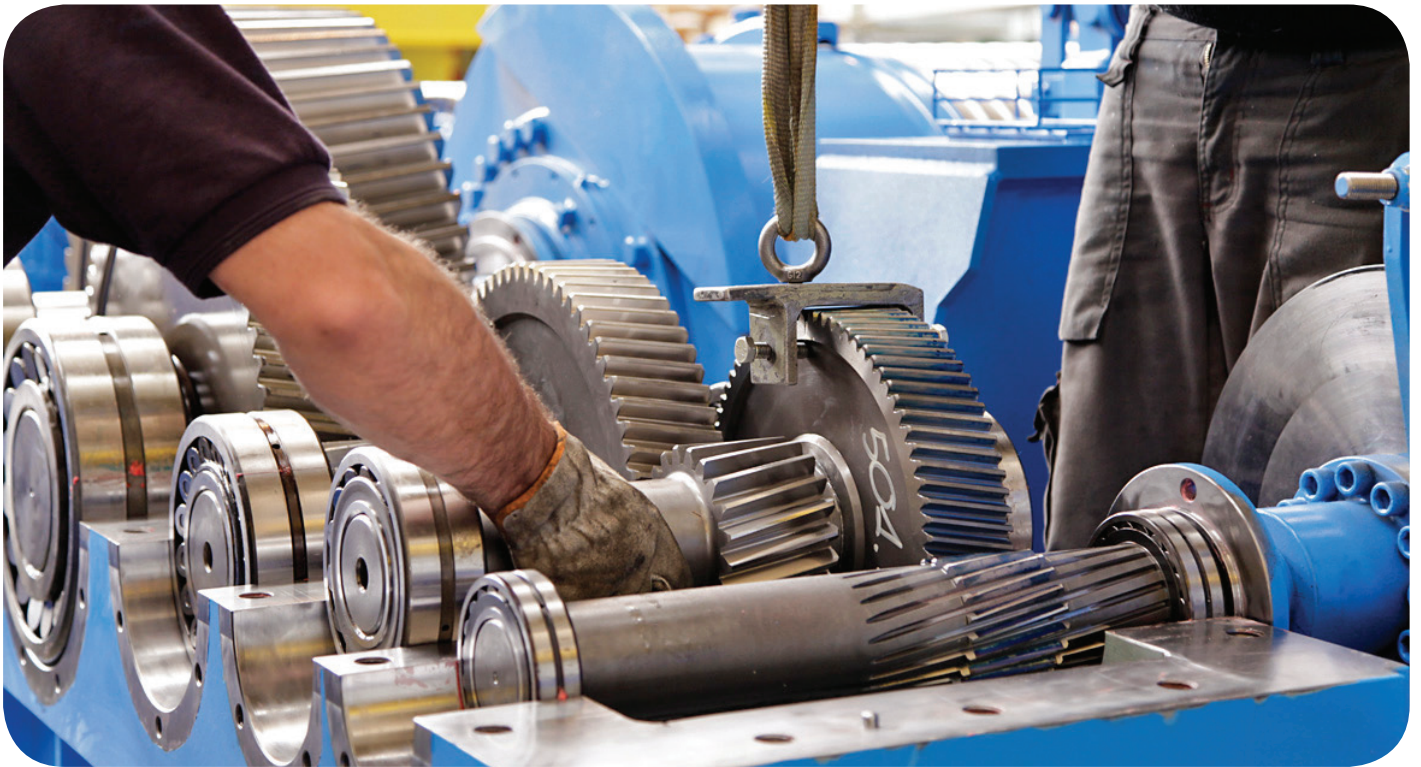
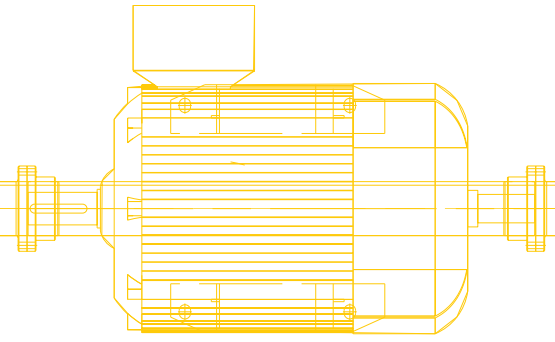




GH SERVICE OFFERING

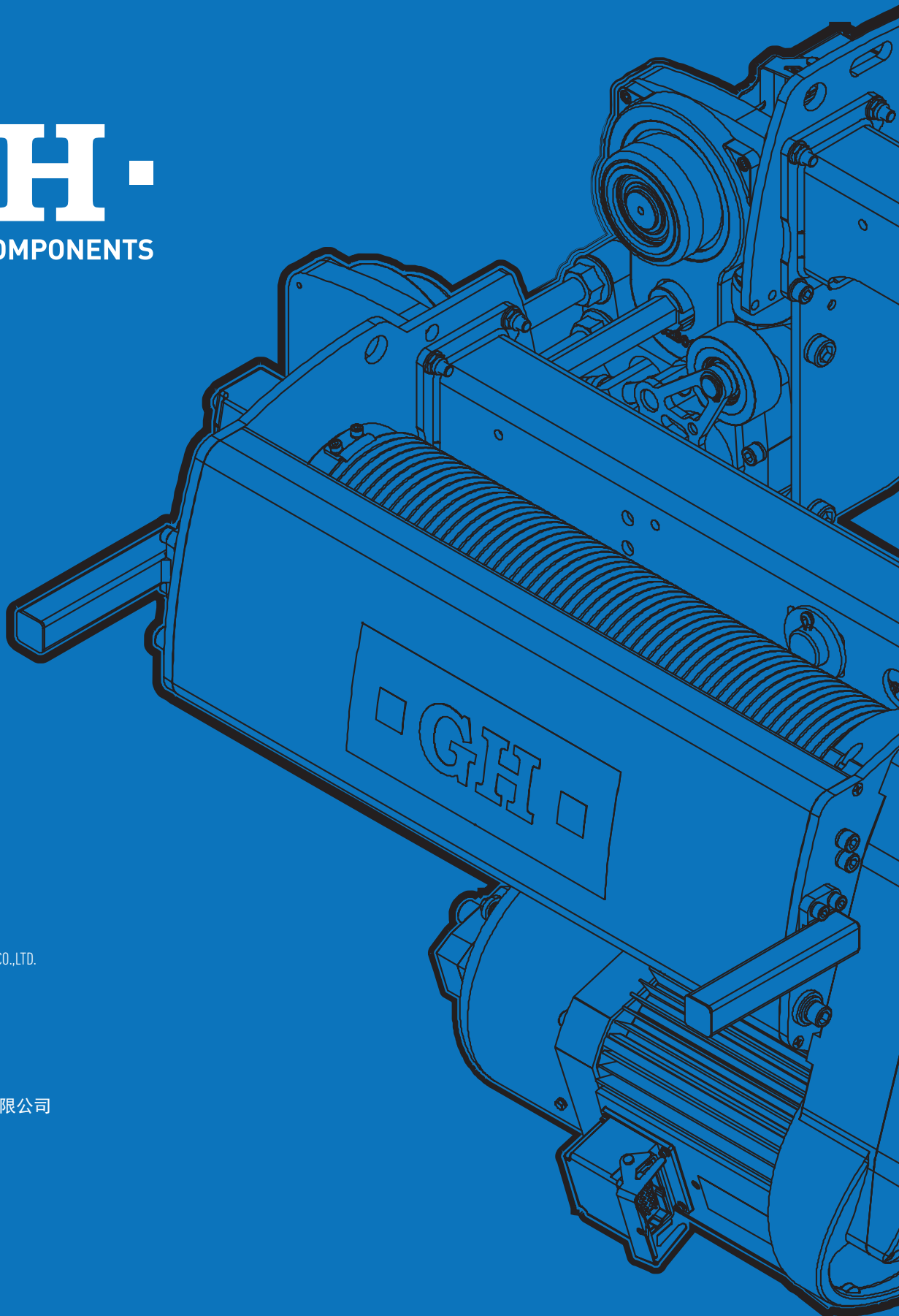
GH 提供的服务

- Spare Parts. 备品备件
 - Original Spare parts supply. 供应原装备品备件
 - Customized spare parts supply. 供应定制的备品备件
- Training. 培训
 - Crane technical training. 起重机技术培训
 - Crane safety and operator training. 起重机安全与操作人员培训
- Technical support and consultation. 技术支持与咨询服务



GH

CRANES & COMPONENTS



GH (SHANGHAI) LIFTING EQUIPMENT CO.,LTD.
Floor.7, No.966 - Huaxu Road
Qingpu District - Shanghai
Tel.: +86-021-5988 7676
Fax: +86-021-5988 7575

杰起（上海）起重设备有限公司
上海市青浦区华徐公路
966号7楼
电话：+86-021-5988 7676
传真：+86-021-5988 7575

ghcranes@ghsa.com.cn
www.ghsa.com.cn



Scan to follow GH official Weixin