

Lifting
your
world.



TRANSFER CARTS

BATTERY POWERED STEERABLE
BATTERY POWERED RAIL-MOUNTED
ELECTRIC POWERED RAIL-MOUNTED

TRANSFER CARTS

GH transfer carts move loads of all types at ground level, for all industries and a huge variety of applications.

These heavy-duty modular transfer carts are available in a wide range of capacities and dimensions to suit any requirement. They are equipped with all the safety devices needed for ground-level machinery movement.

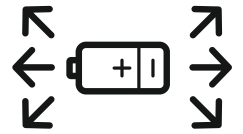
They are an important complement at ground level to cranes lifting heavy loads, and the ideal solution for cargo transfer between halls.

There are three main types of transfer carts, according to movement type:



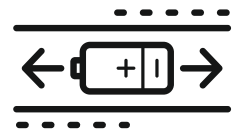
BATTERY POWERED STEERABLE TRANSFER CARTS

Steerable transfer carts (freely moving) are manufactured in standard capacities from 20 t up to 60 t. They are autonomous and move on battery power freely on smooth floors, inside or outside the building.



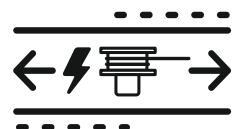
BATTERY POWERED RAIL-MOUNTED TRANSFER CARTS

Transfer carts on rails (moving in a straight line) are manufactured in standard capacities from 10 t up to 60 t. They are powered by a battery and their movement takes place on rails.



RGV: ELECTRIC POWERED RAIL-MOUNTED TRANSFER CARTS

The transfer carts on rails (moving in a straight line) are manufactured in standard capacities from 15 t up to 80 t. They can be powered by cable reel or by enclosed power line.



Battery powered steerable transfer carts



Dimension chart

Load capacity (t)	Dimensions (mm)			Outer wheel radius, minimum rotation (mm)	Speed (m/min)	Battery
	a	b	e			
20	4000	2300	755	9050	20	48v 400Ah
40	5000	2300	825	10350		
60	6000	2500	835	6500		

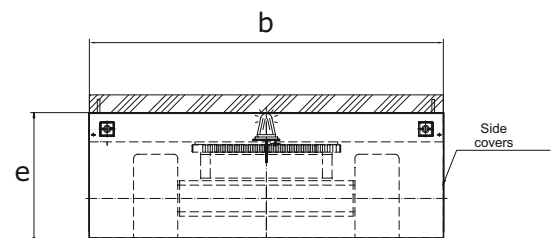
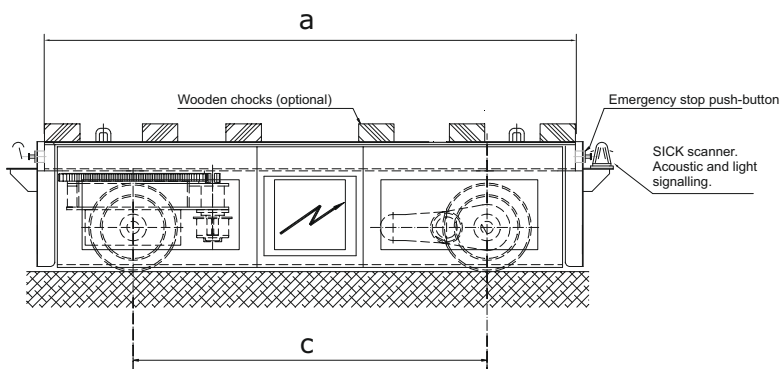
Other capacities and dimensions are possible on request.

Included as standard:

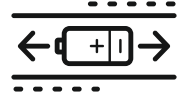
- Battery charger.
- Push-button control with cable.
- Safety measures: SICK scanner for detection of objects and people, emergency stop push-buttons, acoustic and light signalling.

Optional:

- Radio control.
- Side covers.
- Wooden chocks, metal wedges, supports, etc. on the table.



Battery powered rail-mounted transfer carts



Dimension chart

Cap. (t)	Dimensions (mm)				Speed (m/min)	Wheel Ø	Battery
	a	b	d	e			
10	3000	2200	1900	766	20	250	48v 332Ah
20	4000	2700	2400				

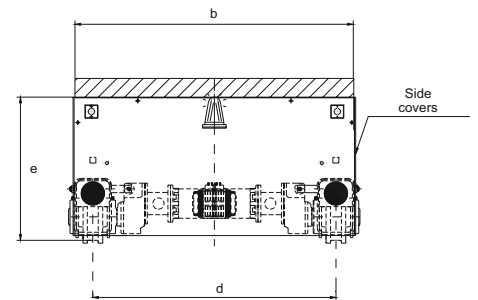
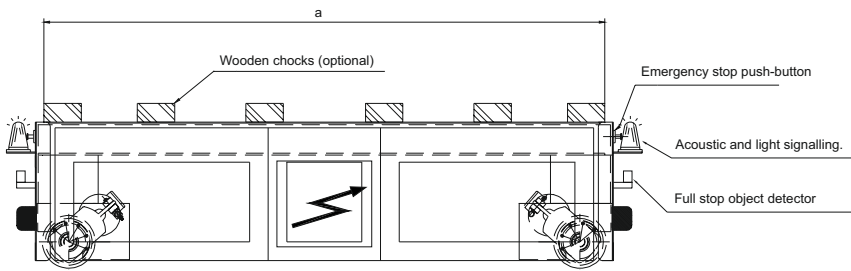
Other capacities and dimensions are possible on request.

Included as standard:

- Battery charger.
- Push-button control with cable.
- Safety measures: Full stop for detection of objects, emergency stop push-buttons, acoustic and light signalling.

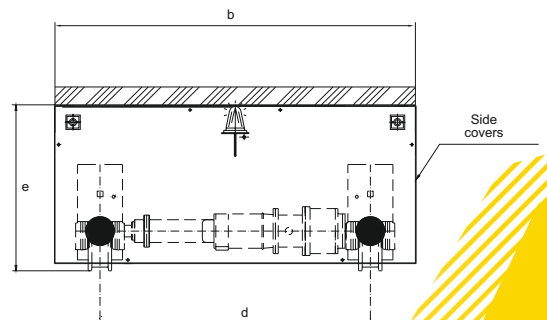
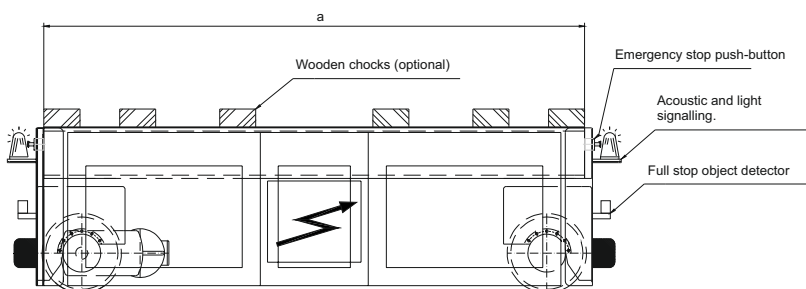
Optional:

- Radio control.
- Side covers.
- Wooden chocks, metal wedges, supports, etc. on the table.
- SICK scanner for detection of objects and people.

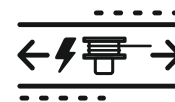


Cap. (t)	Dimensions (mm)				Speed (m/min)	Wheel Ø	Battery
	a	b	d	e			
40	5000	3200	2900	840	20	315	48v 400Ah
60	6000	3600	3100				

Other capacities and dimensions are possible on request.



RGV: Electric powered rail-mounted transfer carts



Dimension chart

RGV	Cap. (t)	Dimensions (mm)				Speed (m/min)	∅ Wheel (mm)	Max. travel End Power Supply (m)	Max. travel Central Power Supply (m)
		a	b	d	e				
RGV15	15	3500	2240	1950	676	20	160	38	76
RGV25	25	4250	2620	2300	676		160	38	76
RGV35	35	4750	2970	2600	735		250	38	76
RGV45	45	5250	3170	2800	835		250	38	76
RGV60	60	6000	3370	3000	867		315	40	80
RGV80	80	7000	3670	3300	1088		400	45	90

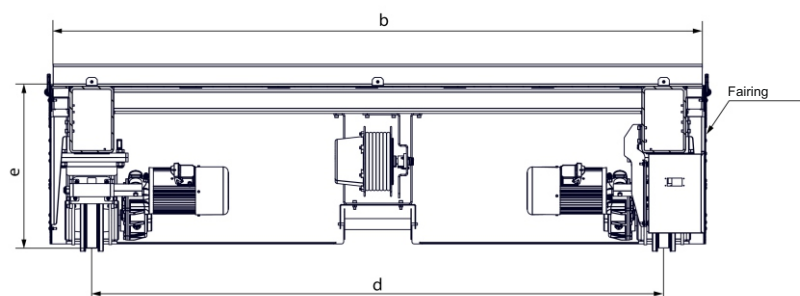
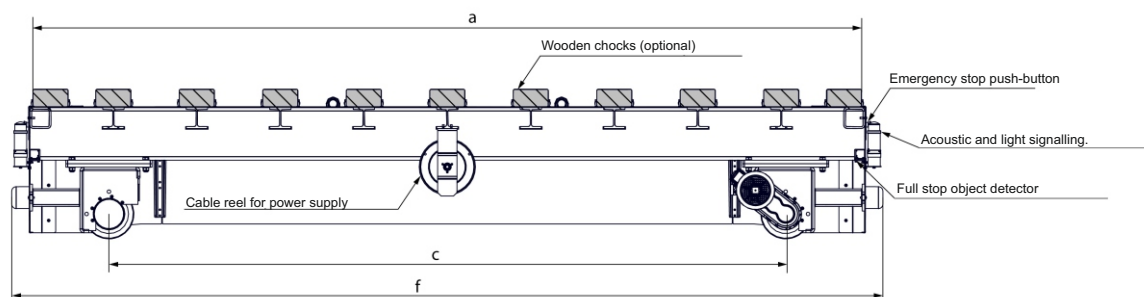
Other capacities and dimensions are possible on request.

Included as standard:

- Push-button control with cable.
- Spring-driven cable reel for power supply.
- Safety measures: Full stop for detection of objects, emergency stop push-buttons, acoustic and light signalling.

Optional:

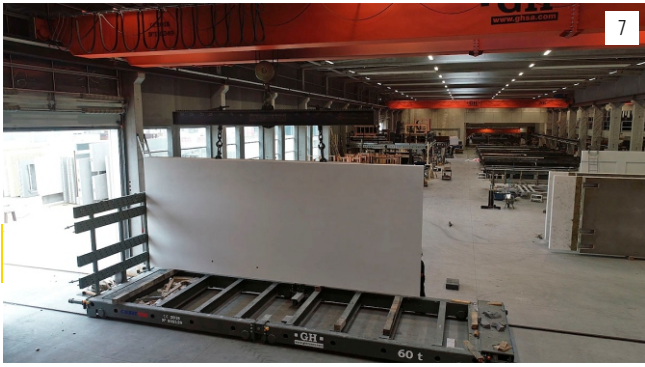
- Radio control.
- Collector for the enclosed power line.
- Wooden chocks, metal wedges, supports, etc. on the table.
- SICK scanner for detection of objects and people.



INSTALLATION EXAMPLES



INSTALLATION EXAMPLES



MORE THAN 65 YEARS LIFTING LEADERS AROUND THE WORLD

GH
CRANES & COMPONENTS



PRESENCE IN
+70
COUNTRIES
ON 5 CONTINENTS



+130.000
SOLD CRANES



+1000
PEOPLE

IN THE
TOP 5
CRANES
MANUFACTURERS
WORLDWIDE



GH HEADQUARTERS SPAIN



GH HQ (Beasain)
ghcranes@ghcranes.com



GH Global Service (Olaberria)
globalservice@ghcranes.com



GH Parts & Accessories (Pinto)
globalservice@ghcranes.com

GH EUROPA

Germany
Austria
Belgium
Bulgaria
Denmark
Slovakia
Slovenia
Estonia
Finland
GH Spain
GH France
Greece
Hungary
Ireland
Italy
Lithuania
Luxemburg
Norway
Netherlands
GH Poland
GH Portugal
United Kingdom
Czech Republic
Romania
Sweden
Switzerland
Turkey



GH SPAIN
Bakaikua
ghcranes@ghcranes.com



GH FRANCE
Saint-Herblain
ghfrance@ghcranes.com



GH POLAND
Klobuck
office@ghsa.pl



GH PORTUGAL
Mamede do Coronado
geral@ghcranes.com

GH OCEANIA

Australia
New Zealand

GH AMERICA

Argentina
GH Brazil
Bolivia
Canada
Chile
GH Colombia
Costa Rica
Cuba
Ecuador
El Salvador
GH USA
GH Peru
Guatemala
Honduras
Nicaragua
Panama
Paraguay
GH Mexico
Dominican Republic
Uruguay
Venezuela



GH BRAZIL
Cabreuva
vendas@ghcranes.com.br



GH COLOMBIA
Bogota
ventasghcolombia@ghcranes.com



GH USA
Illinois & Texas
ghcranesusa@ghcranes.com



GH PERU
Lima
ventasghperu@ghcranes.com



GH MEXICO
Queretaro
ghmexico@ghsa.com.mx

GH ASIA

Armenia
Korea
GH China
Hong Kong
GH India
Indonesia
Kazakhstan
Malaysia
Pakistan
Singapore
GH Thailand
Tajikistan
Turkmenistan
Uzbekistan
Vietnam



GH CHINA (Shanghai)
ghchina@ghsa.com.cn



GH INDIA (Pune)
ghindia@ghcranes.com



GH THAILAND (Chonburi)
ghthailand@ghcranes.com

GH AFRICA & MIDDLE EAST

Angola
GH Saudi Arabia
Argelia
Bahrain
Qatar
GH UAE
Egypt
Iraq
Israel
Jordan
Kuwait
Morocco
Nigeria
Oman
South Africa
Tunisia



GH UAE (Abu Dhabi)
gharabia@ghcranes.com



GH UAE (Dubai)
gharabia@ghcranes.com



GH UAE (Ras Al Khaima)
gharabia@ghcranes.com



GH SAUDI ARABIA (Al Khobar)
gharabia@ghcranes.com